

ELEKTRA
WoodTec™
HEATING FOILS



Designed to be installed
under laminate flooring and/or
engineered wood

Installation manual 

Instrukcja montażu

Инструкция по монтажу

Purpose

The **ELEKTRA WoodTec™** heating foils are designed to provide heating of floors made of laminated floorboards and/or engineered wood. Heating foils of the heat output 60 and 70 W/m² are intended to serve as a supplementary heating system, to achieve warm floor.

The type, dimensions and installation method of installation laminated floorboards and/or engineered wood must guarantee the stability of the floor after laying them on the foil.

However, if a building is characterised by very high thermal parameters, such heating foils can serve as the primary heating system.

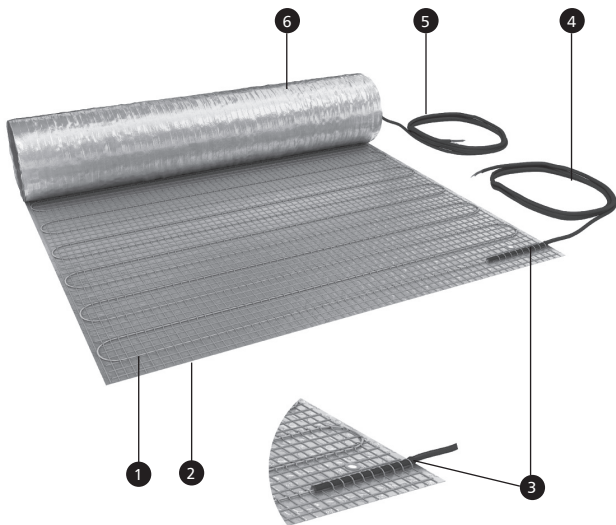
The 140 W/m² heat output foils can serve as the primary heating system.

Specification

The **ELEKTRA WoodTec™** heating foils are produced as pre-assembled installation units with dimensions of 50 cm (width) x 4.0 to 26.0 m (length). There are heating cables attached to a fiberglass mesh and covered with aluminum shield on the reverse side. The aluminum shield provides a protective shielding for the heating cables. It is possible to install multiple foils in one room. In such a case, the foils should be electrically connected in parallel.

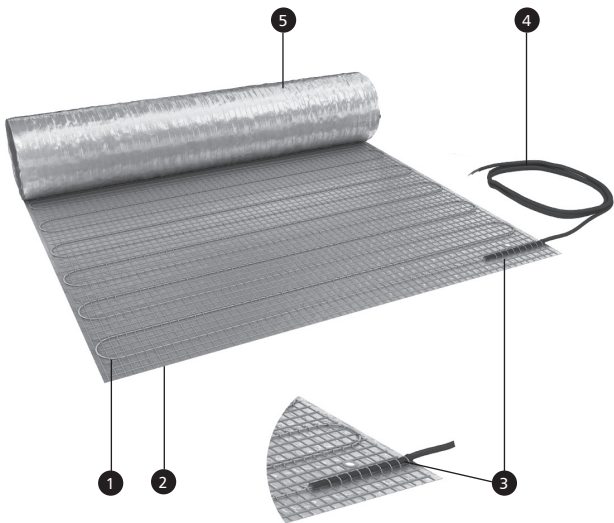
The **ELEKTRA WoodTec₁™** heating foils are 1.9mm thick and have 4.0m cold tails at both ends.

The **ELEKTRA WoodTec₂™** heating foils are 2.8mm thick and have a 4.0m cold tail at one end, and a joint at the other.



ELEKTRA WoodTec₁™ heating foil

- ① Heating cable
- ② Fiberglass mesh
- ③ Heating cable joint to cold tail
- ④ Shielded (PE) cold tail
- ⑤ Shielded (PE) cold tail
- ⑥ Aluminum shield



ELEKTRA WoodTec₂™ heating foil

- ① Heating cable
- ② Fiberglass mesh
- ③ Heating cable joint to cold tail
- ④ Shielded (PE) twin conductor cold tail
- ⑤ Aluminum shield

Note:



The power output of the heating foils can vary +5%, -10% from the provided nominal specifications.

The heating foils are suitable for use with a 230V/50Hz power supply.

Following symbols are used on rating labels of the **ELEKTRA WoodTec™** heating foils:



Double-sided
power supply
(**ELEKTRA WoodTec₁™**)



Single-sided
power supply
(**ELEKTRA WoodTec₂™**)



Heating foil with
foil facing up



Direct in-floor
heating

Materials and tools

required for installation

- The **ELEKTRA WoodTec™** – included
heating foil
- Flexible conduits
1.5 and 2.5 m in length – included
- Deep installation box – included

- 2 electrical connectors
(**ELEKTRA WoodTec₁™** only) – included
- Strips of aluminum
self-adhesive tape with
conductive adhesive – included
- Temperature controller – included
option

- Scissors/cutters
- Ohmmeter (multimeter)
- Tools for cutting chases
in walls and floors

Caution:



Never cut heating cables. Only the plastic mesh and aluminum shield may be cut.

Never shorten the foils. Only cold tails may be made shorter, if necessary.

Never attempt to repair the heating cables. If damage occurs to the heating cables, contact an ELEKTRA-authorized installer.

Caution:



Never apply excessive tension to the heating foil. Do not hammer the foil with sharp tools.

Never bend the joint and end seal.

Never install the heating foil if the ambient temperature drops below -5°C .

Never install the foils in places where fixed furniture items are planned to be placed (such as wardrobes without feet).

Never use installation materials other than those specified in the installation manual.

Never use nails or screws for installation.

Caution:



The heating foils have been designed entirely for dry installation in laminate or engineered wood floorings, therefore they are not intended for installation in rooms with increased level of humidity, such as bathrooms or laundry rooms. The designed structure of heating foils also disables the installation under flexible floor finishes, such as vinyl floorings.

Caution:



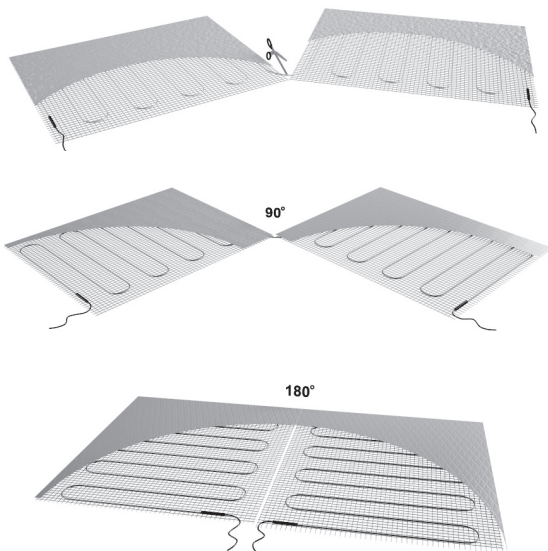
Always install the heating foil according to the installation manual.

Electrical connection of the foil **must be** performed by a certified electrician.

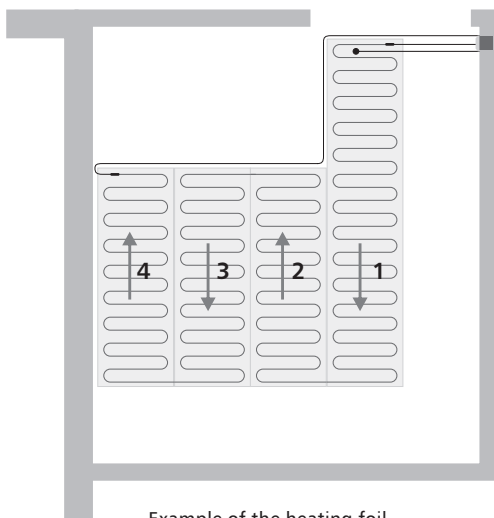
The heating foil **should be** placed at least 50mm away from other heat sources (e.g. hot water pipes).

Choosing the right heating foil

Before choosing the heating foil(s) for a room (the heating foils come with a fixed width of 50 cm), plan their arrangement on the floor or on the selected floor areas. The heating foils must not be laid in places where fixed pieces of furniture will later stand. The heating foils can be cut to a desired shape and then laid out in various directions. While cutting the shield, cut the fiberglass mesh and aluminum foil but never the heating cables.



Laying out a custom-shaped heating foil



Example of the heating foil layout in a kitchen

Choosing the temperature controller

A temperature controller is a core component of any floor heating. The controller connects the foil with the electrical system and ensures that the required temperature of the floor or ambient air in the room is maintained.

- If the heating foils serve as a supplementary heating source in the room and the user desires merely to enjoy a warm floor feeling, then a controller with the functionality to change the configuration of the heating sensors is required.

In this case, the control is provided by the floor sensor sufficient to keep the required temperature of the floor.

- If the heating foils are the primary heating source in the room, then what the user usually wants is the optimum ambient temperature. In such a case, a temperature controller that can measure air temperature should be installed. Such a temperature controller should be equipped with both an air temperature sensor and an additional floor temperature sensor (while measuring the ambient temperature, it protects the floor and the heating foil from overheating).

For temperature control, a programmable controller may be used which can be set for a daily and/or weekly cycle, or a WiFi controller allowing additional remote control from a smartphone via an app.

Heating type	Temperature controller type
Supplementary for the warm floor	MWD5 WiFi MCD5 1999 ELR30 WiFi ELR20
Primary	



Temperature controller MWD5 WiFi and MCD5 1999 may be installed under a common faceplate with a lighting switch (not applicable in the UK).



Temperature sensor for MWD5 WiFi, MCD5 1999 temperature controller



Temperature sensor for ELR30 WiFi, ELR20 temperature controller

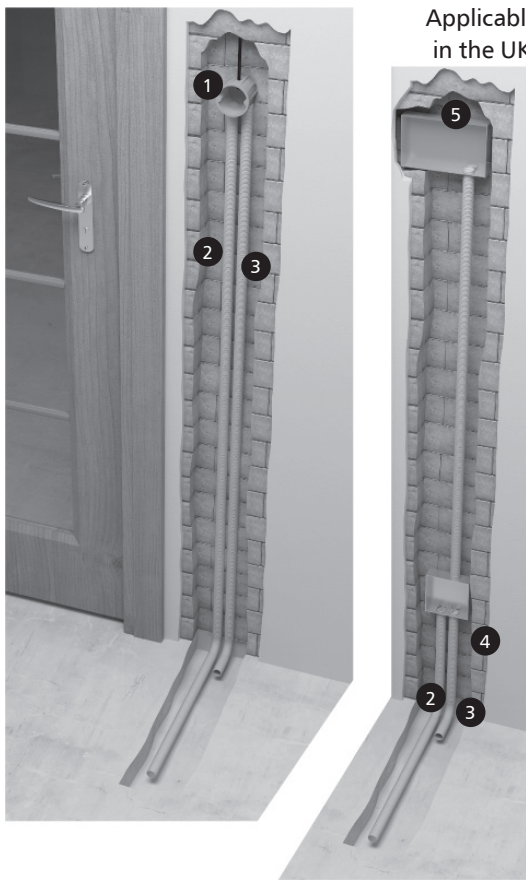
Step 1 – preparation

As preparation for the installation take the following steps:

1. Choose a location for the temperature controller. For aesthetic and practical reasons, it is best to install the controller next to the lighting switches (e.g. under a common faceplate).
2. Install a deep installation box for the temperature controller.
3. Install a suitable 3-wire power supply to the thermostat position / installation box. Connect the power cable.
4. Install 2 flexible conduits (Ø 15mm) between the installation box and the floor. The flexible conduits should be laid in the previously made chases in the wall and in the floor. Depth of the chase should be 10-12mm. Later, when the heating foil is installed, the temperature sensor cable will be fed into one of the flexible conduits and the cold tails to the other.

The flexible conduits must not be sharply angled at the meeting point of the wall and the floor. Make sure that a smooth curve is provided.

- 1 Deep installation box for the temperature controller
- 2 Flexible conduit for the floor temperature sensor
- 3 Flexible conduit for the power leading to the heating foil



- ④ Single installation box for multiple foil connections (if required).
- ⑤ Dual installation box for thermostat and fused connection unit (spur).

Step 2 – laying the heating foil

A floor prepared for laminate flooring and/or engineered wood should be even, smooth, dry, and stable (max. permissible level deviations are 2 mm/sq. m).

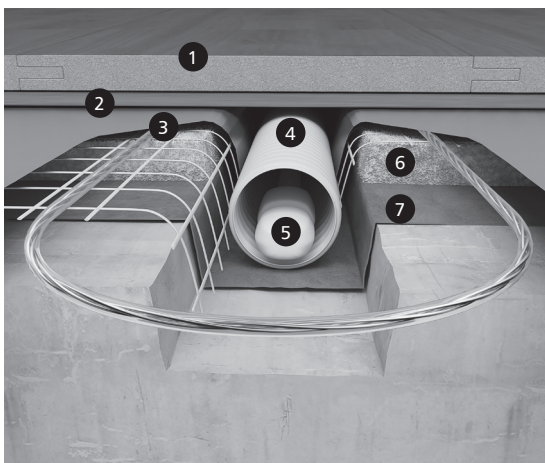
1. Spread out the min. 0.2 mm-thick vapour barrier foil (PE foil) on the prepared floor surface, providing at least 20 mm wide overlaps between the foil sheets. Draw the vapour barrier foil sheet edges 5 cm up the walls.

Before laying the insulating underlay and heating foil, feed the temperature sensor with its wire into the earlier prepared flexible conduit. The temperature sensor should be placed directly under the heated surface. To maintain the level surface, a section of already laid insulating underlay and the heating foil needs to be cut out over the flexible conduit in the floor covering. Feed the temperature sensor's wire into the installation box.

Caution:



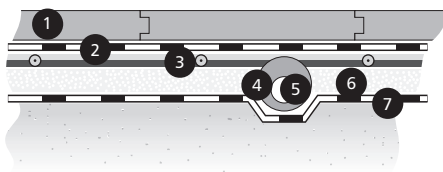
The temperature sensor's wire should be positioned just between the foil's heating cables.



Temperature sensor installation

- 1 Laminate flooring and/or engineered wood
- 2 Protective layer (PE sheet)
- 3 The **ELEKTRA WoodTec™** heating foil
- 4 Flexible conduit
- 5 Floor sensor
- 6 Insulating underlay
- 7 Vapour barrier foil

2. Stretch the min. 2-6 mm-thick insulating underlay on the vapour barrier foil. When selecting the insulating underlay, take its heat distribution properties into consideration. The better the heat distribution, the shorter warm-up time of the flooring. The appropriate density extruded polystyrene (XPS) insulating underlay meets these requirements optimally.



- 1 Laminate flooring and/or engineered wood
- 2 Protective layer (PE sheet)
- 3 The **ELEKTRA WoodTec™** heating foil
- 4 Flexible conduit
- 5 Floor sensor
- 6 Insulating underlay
- 7 Vapour barrier foil

3. It is now time to lay out the heating foil. Always lay the foil with its aluminum shield layer facing up.

Caution:



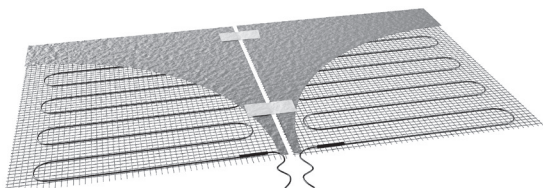
The insulating underlay in the area destined for built-in furniture or in the unheated area (where no heating foil is laid) should be 2 mm thicker or filled up with an additional 2 mm layer preventing creation of bumps on the panel in the place where the heating foil is laid.

With the heating foil in place, cut chases in the insulating underlay and in the floor if necessary to compensate for the extra thickness of the heating foil's cold tails so as to obtain level surface. Lead the cold tails of the heating foil alongside the wall and into the installation box where the temperature controller will be housed. If the cold tails are too short, they can be extended. Feed the cold tails into the

flexible conduits and into the installation box. Where the cold tails meet the heating cable, cut chases in the floor to compensate for an added thickness of the connector. If the cold leads are too short they can be extended.

A "draw wire" can be used to feed cold tails into the flexible conduit.

If the aluminum shield has been cut during the heating foil's customization, use min. 2 strips of self-adhesive aluminum tape with the conductive adhesive to join the heating foil sheets as shown in the picture. The aluminum shield serves as shielding for the heating cables, therefore must be electrically connected.



Joining the cut aluminum shield sheets

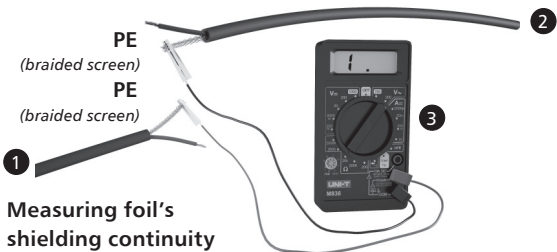
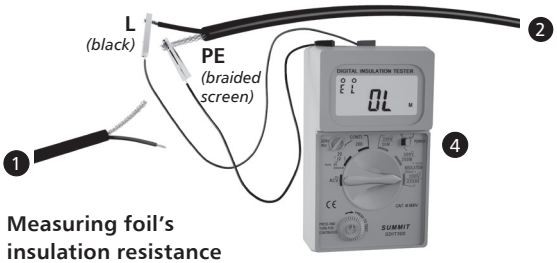
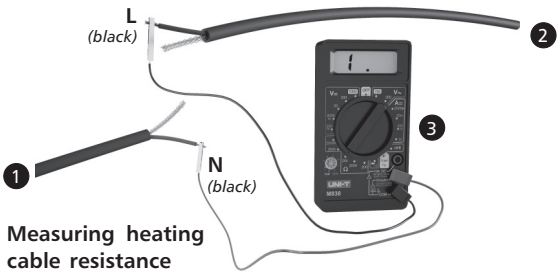
4. With the heating foil in place a protective layer (polyethylene foil, 0.2 mm) has to be laid out on top.
5. With the heating foil installed measure:
 - the heating wire resistance
 - foil's insulation resistance
 - foil's shielding (aluminum shield) continuity (if the aluminum foil has been cut during the heating foil layout).

Enter these measurements into the Warranty Card and repeat after the floorings have been laid. Compare the results.

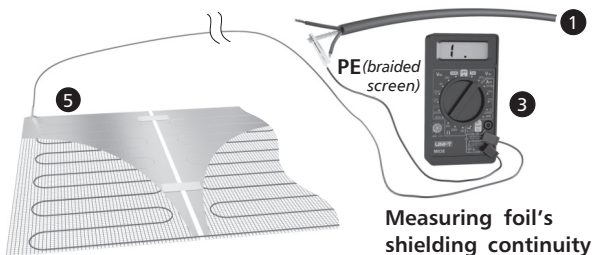
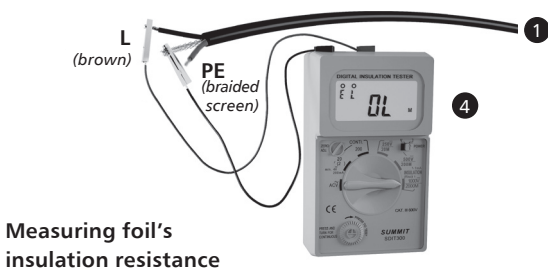
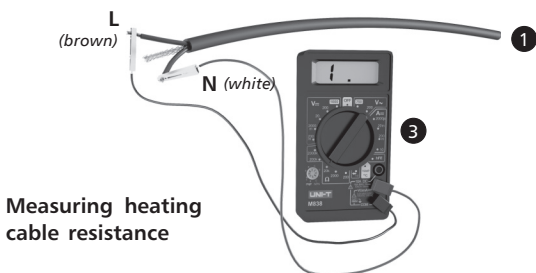
Measurements

- ❶ Cold tail
- ❷ Cold tail
- ❸ Ohmmeter (multimeter)
- ❹ Megaohmmeter
- ❺ Aluminum shield

ELEKTRA WoodTec1[™] measurements



ELEKTRA WoodTec²™ measurements



To assess the shielding continuity, using the ohmmeter (multimeter), measure the resistance between the cold tail's PE wire and the aluminium shield in the heating foil's strip of the greatest distance from the cold tail.

The heating cable insulation's resistance, as measured with an appliance of the rated voltage 1000 V (megaohmmeter) for at least 30 seconds, should not drop below 50 M Ω . Enter the results into the Warranty Card.

STEP 3 – laying laminate flooring and/or engineered wood

After the heating foil has been laid, the temperature sensor installed, and the cold tails and the temperature sensor's wires fed into the installation box, you can lay the laminate flooring and/or engineered wood.

STEP 4 – installing the temperature controller

Before connecting the heating foil(s) to the household wiring through the temperature controller, perform again the resistance measurements of the heating cable and insulation, and of the shielding continuity in order to make sure that the heating foil has not been damaged during the installation of the laminate flooring and/or engineered wood. Note the measurements on the Warranty Card.

Connection of the heating foil with the household wiring should be made by a certified electrician.

Follow the temperature controller's manual when connecting the household wiring, the cold tails of the heating foil, and the temperature sensor wire to the temperature controller inside the installation box.

Caution:



The heating foil's earth cables (braided screen) should be connected to the earth (yellow and green) of the household wiring with a special terminal $\underline{\perp}$ on the temperature controller. If there is no such terminal on the temperature controller's housing, the connection should be made separately using a wire connector which will be placed in the installation box. If several heating foils were installed in the room, connect them in parallel, i.e. cables with the same markings should lead to the same terminals on the temperature controller.

Shock protection

The electrical system, to which the heating foil is connected should be equipped with a residual current device (RCD) rated at $\Delta \leq 30\text{mA}$.

Operation

Operation of the heating system is limited to setting the desired floor temperature with the controller.

Note that the entire floor or a large part of it, serves as a heater. Hence, heat distribution from the floor should always remain unhindered by furniture or by the way the room is used.

For that reason, do not place large footprint objects on the heated sections of the floor, such as mattresses or furniture pieces without feet which have large contact surface with the floor.

Holes can be drilled in the floor only after the exact arrangement of the heating cables has been determined (based on the as-built documentation or measurements taken with a special detector).

Warranty

ELEKTRA provides a 20-year Warranty (from the purchase date) for the *ELEKTRA WoodTec™* heating foils.

Warranty conditions

1. For the warranty to apply, the following is required:
 - a) the heating system was installed in compliance with this manual
 - b) connection of the heating foil and temperature controller to the electrical system of the house as well as resistance measurements of the heating cable and shielding continuity were performed by a certified electrician

- c) Warranty Card with required entries is included
 - d) proof of purchase for the heating foil is included
 - e) electrical system supplying power to the heating foil is equipped with a circuit breaker
2. The Warranty is void if persons other than an ELEKTRA-certified installer attempted to repair the product.
3. The Warranty does not cover:
- a) mechanical damage
 - b) damage due to unsuitable power supply
 - c) damage resulting from electrical connection performed in violation of the regulations in force
4. As part of the Warranty service, ELEKTRA undertakes to reimburse all costs incurred solely in connection with repairing a defective heating foil.

Note:



Warranty claims with included Warranty Card and the retail sales receipt must be filed with the dealer or with the ELEKTRA Company.

Warranty Card

Customer shall keep this Warranty Card throughout the entire warranty period of 20 years. The warranty period starts from the date of product purchase.

ELEKTRA
WoodTec[™]

INSTALLATION SITE

Address		
Post Code		City

Warranty claims with included Warranty Card and the retail sale receipt must be filed with the dealer.

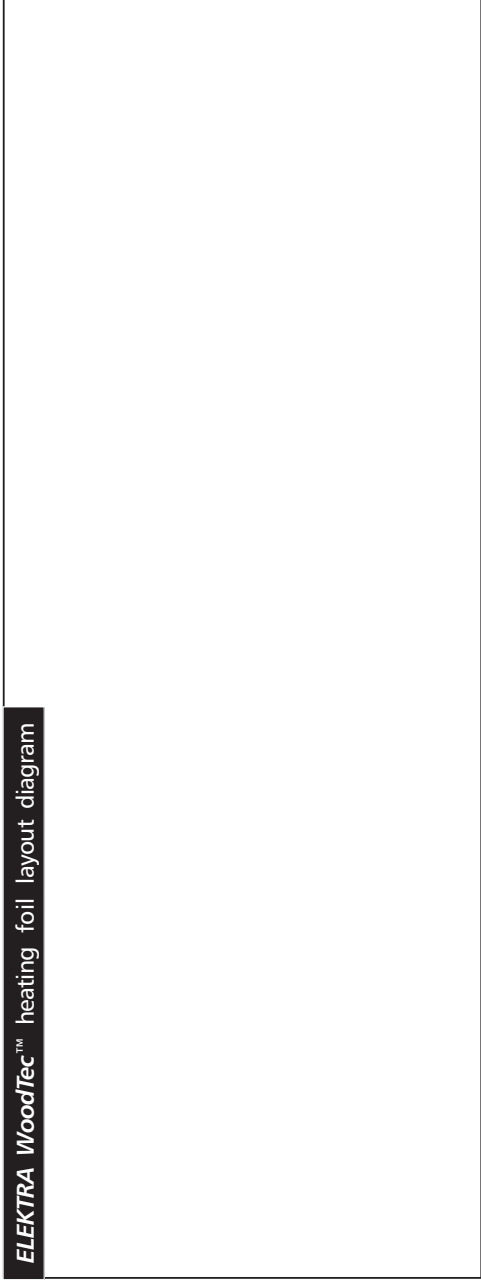
TO BE FILLED BY INSTALLER

Name, Surname		Electrician's Certificate #	
Address		e-mail	
Zip Code	City	phone #	fax #

Note: Installer has to provide as-built documentation to the user.



ELEKTRA WoodTec™ heating foil layout diagram



Note: The layout diagram must include distances between the heating foil and walls and fixed furniture with a clearly marked position of the temperature sensor and of heating cables.



Results of measurements									
Heating wire's resistance	<table border="1"> <tr> <td>after the heating foil has been laid</td> <td>Ω</td> </tr> <tr> <td>after the floor has been completed</td> <td>Ω</td> </tr> <tr> <td>after the heating foil has been laid</td> <td>MΩ</td> </tr> <tr> <td>after the floor has been completed</td> <td>MΩ</td> </tr> </table>	after the heating foil has been laid	Ω	after the floor has been completed	Ω	after the heating foil has been laid	M Ω	after the floor has been completed	M Ω
after the heating foil has been laid	Ω								
after the floor has been completed	Ω								
after the heating foil has been laid	M Ω								
after the floor has been completed	M Ω								
Heating cables insulation resistance									
Shielding continuity resistance value below 0.2 Ω	<table border="1"> <tr> <td>after the heating foil has been laid</td> <td>YES <input type="checkbox"/></td> <td>NO <input type="checkbox"/></td> </tr> <tr> <td>after the floor has been completed (applies only to ELEKTRA WoodTecTM)</td> <td>YES <input type="checkbox"/></td> <td>NO <input type="checkbox"/></td> </tr> </table>	after the heating foil has been laid	YES <input type="checkbox"/>	NO <input type="checkbox"/>	after the floor has been completed (applies only to ELEKTRA WoodTec TM)	YES <input type="checkbox"/>	NO <input type="checkbox"/>		
after the heating foil has been laid	YES <input type="checkbox"/>	NO <input type="checkbox"/>							
after the floor has been completed (applies only to ELEKTRA WoodTec TM)	YES <input type="checkbox"/>	NO <input type="checkbox"/>							

Date	
Installer's signature	
Company stamp	

Caution: The measurement results of the heating core's resistance should not vary from the one given on the label with more than -5% +10%. Resistance of the heating wire insulation should be at least 50 M Ω when measured with megohmmeter (Insulation Resistance Tester) with a rated voltage of 1000V.



NOTE!

**Place the self-adhesive rating plate
attached to the product here
(must be carried out prior to installing
the heating system)**

**FOLIE GRZEJNE
ELEKTRA**

WoodTec™



przeznaczone do układania
pod panele podłogowe
i pod deski warstwowe

Installation manual

Instrukcja montażu 

Инструкция по монтажу

Zastosowanie

Folie grzejne **ELEKTRA WoodTec™** przeznaczone są do ogrzewania podłóg wykonanych z paneli podłogowych lub desek warstwowych.

Typ, wymiary i sposób montażu paneli podłogowych lub desek warstwowych musi gwarantować stabilność posadzki po ułożeniu ich na folii.

Folie o mocy powierzchniowej 60 i 70 W/m² służą jako uzupełniający system grzewczy w celu uzyskania ciepłej podłogi. W obiektach o bardzo dobrych parametrach cieplnych mogą pełnić rolę podstawowego systemu grzewczego.

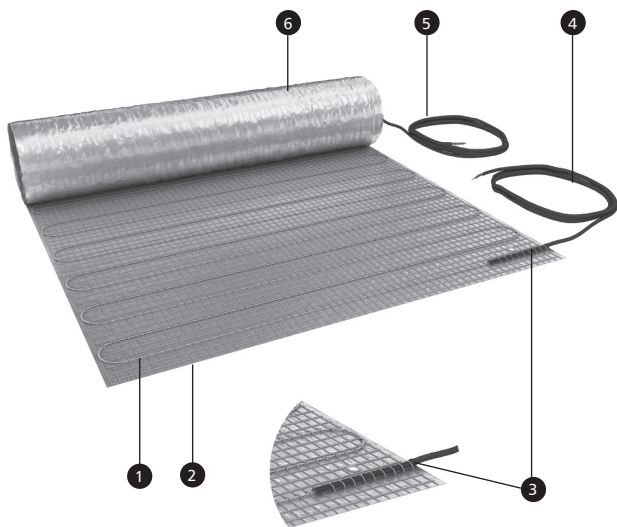
Folie o mocy 140W/m² pełnią rolę podstawowego systemu grzewczego.

Charakterystyka

Folie grzejne **ELEKTRA WoodTec™** o szerokości 50 cm i długości od 4,0 do 26,0 m, składają się z przewodu grzejnego przyklejonego do siatki z tworzywa sztucznego z jednej strony, z drugiej przykrytego na całej powierzchni folią aluminiową. Folia aluminiowa stanowi ekran ochronny przewodów grzejnych. Istnieje możliwość instalowania dwóch lub większej ilości folii w jednym pomieszczeniu. W takim przypadku folie należy połączyć równolegle.

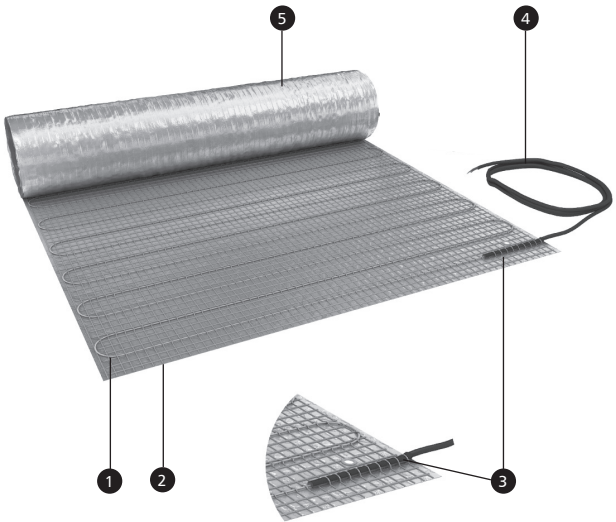
Folia grzejna **ELEKTRA WoodTec₁™** ma 1,9 mm grubości i zakończona jest z dwóch stron przewodem zasilającym o długości 4,0 m.

Folia grzejna **ELEKTRA WoodTec₂™** ma 2,8 mm grubości i zakończona jest z jednej strony przewodem zasilającym o długości 4,0 m, z drugiej strony mufą.



Folia grzejna **ELEKTRA WoodTec₁™**

- ❶ przewód grzejny
- ❷ siatka z włókna szklanego
- ❸ „zimne złącze” (mufa) łączące przewód grzejny z przewodem zasilającym
- ❹ przewód zasilający jednożyłowy z ekranem (PE)
- ❺ przewód zasilający jednożyłowy z ekranem (PE)
- ❻ ekran aluminiowy



Folia grzejna *ELEKTRA WoodTec₂*™

- 1 przewód grzejny
- 2 siatka z włókna szklanego
- 3 „zimne złącze” (mufa) łączące przewód grzejny z przewodem zasilającym
- 4 przewód zasilający dwużyłowy z ekranem (PE)
- 5 ekran aluminiowy

Uwaga:



Wartość mocy folii grzejnej może się różnić +5%, -10% od parametrów podanych na tabliczce znamionowej.

Folie grzejne wykonane są na napięcie znamionowe 230V/50 Hz.

Folie grzejne **ELEKTRA WoodTec™** mają na tabliczce znamionowej następujące piktogramy:



Folia grzejna zasilana dwustronnie
(**ELEKTRA WoodTec₁™**)



Folia grzejna zasilana jednostronnie
(**ELEKTRA WoodTec₂™**)



Folia grzejna instalowana ekranem aluminiowym do góry



Bezpośrednie ogrzewanie podłóg

Materiały i narzędzia

wymagane do instalacji folii grzejnej

- folia grzejna – w opakowaniu
ELEKTRA WoodTec™
- rurki ochronne (peszel)
o długości 1,5 i 2,5 m – w opakowaniu
- pogłębiona puszka
instalacyjna – w opakowaniu
- 2 złączki elektryczne
(tylko *ELEKTRA WoodTec₁™*) – w opakowaniu
- paski taśmy samoprzylepnej
z klejem przewodzącym – w opakowaniu
- regulator temperatury – w opakowaniu

opcja

- nożyce
- omomierz
- narzędzia do wykucia bruzd
w ścianie i posadzce

Uwaga:



Nigdy nie można przeciąć przewodu grzejnego, przecinać można jedynie siatkę z tworzywa sztucznego oraz folię aluminiową.

Nigdy nie można skracać folii, jedynie przewód zasilający może być skracany, jeśli jest to konieczne.

Nigdy nie należy wykonywać samodzielnych napraw przewodu grzejnego, a w przypadku uszkodzenia przewodu należy to zgłosić instalatorowi uprawnionemu przez firmę ELEKTRA.

Uwaga:

Nigdy nie należy folii poddawać nadmiernemu naciąganiu i naprężaniu oraz uderzeniom ostrymi narzędziami.

Nigdy nie należy zginać mufy połączeniowej i zakończeniowej.

Nigdy nie należy układać folii, jeżeli temperatura otoczenia spadnie poniżej -5°C .

Nigdy nie należy instalować folii w miejscach, gdzie przewidziano stałą zabudowę (np. szafy bez nóżek).

Nigdy do montażu nie należy stosować foliieriałów innych niż zalecane w instrukcji.

Nigdy do montażu folii nie należy stosować gwoździ, ani śrub.

Uwaga:

Folie zostały zaprojektowane wyłącznie do suchego montażu w górnych warstwach posadzek wykończonych panelami podłogowymi lub deską warstwową dlatego nie należy ich instalować w pomieszczeniach mokrych typu łazienka, pralnia. Konstrukcja ta wyklucza również montaż pod wykończeniami elastycznymi typu panele lub wykładziny winylowe.

Uwaga:

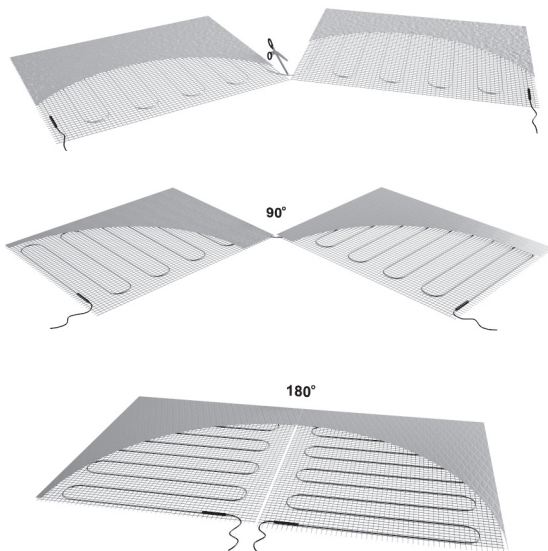
Folię grzejną należy **zawsze** instalować zgodnie z instrukcją.

Podłączenie folii do sieci elektrycznej **zawsze** należy powierzyć instalatorowi z uprawnieniami elektrycznymi.

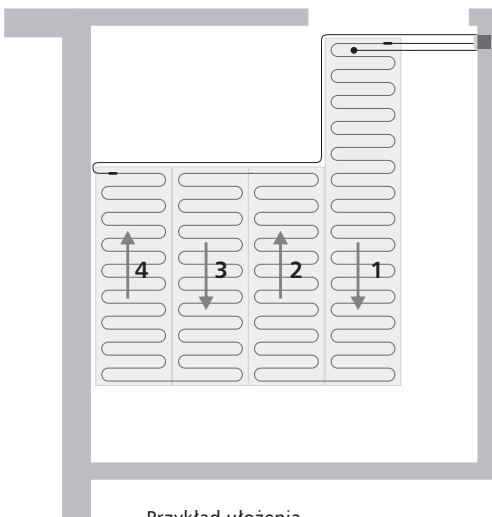
Folia grzejna powinna być **zawsze** oddalona od innych źródeł ciepła (np. od rur z ciepłą wodą) nie mniej niż 50 mm.

Wybór folii grzejnej

Dobierając długość folii grzejnej (szerokość folii jest stała i wynosi 50 cm), lub kilku folii, jeżeli wymaga tego wielkość pomieszczenia, należy rozplanować jej (ich) ułożenie na powierzchni całego pomieszczenia lub na wybranych fragmentach, uwzględniając możliwości nadania folii grzejnej wymaganego kształtu. Nie wolno układać folii w miejscach planowanej stałej zabudowy pomieszczenia. Folię grzejną można nadać pożądany kształt poprzez cięcie siatki oraz folii aluminiowej (nie można przeciąć przewodu grzejnego) i obracaniu folii w odpowiednim kierunku.



Sposoby nadawania folii grzejnej odpowiedniego kształtu



Przykład ułożenia
folii grzewczej w kuchni

Wybór regulatora temperatury

Nieodzownym elementem systemu ogrzewania podłogowego jest regulator temperatury.

Za pomocą regulatora podłączamy folię do instalacji elektrycznej. Regulator zapewnia pożądaną temperaturę podłogi lub powietrza.

- Jeżeli folie grzejne są jedynie uzupełnieniem istniejącego już (podstawowego) systemu grzewczego, to użytkownika interesuje ciepła podłoga - wówczas należy zastosować regulator temperatury z możliwością zmiany konfiguracji czujników temperatury. Sterowanie odbywa się w tym przypadku wyłącznie za pomocą czujnika podłogowego.
- Jeżeli folie grzejne są podstawowym źródłem ogrzewania, to użytkownika interesuje uzyskanie optymalnej temperatury powietrza w pomieszczeniu – wówczas należy zastosować regulator temperatury mierzący temperaturę powietrza, tzn. regulator z czujnikiem powietrznym i zabezpieczającym czujnikiem podłogowym (ten typ regulatora mierzy temperaturę powietrza, a jednocześnie czujnik podłogowy zabezpiecza podłogę i folię grzejną przed przegrzaniem).

Do sterowania temperatury można zastosować regulator posiadający możliwość programowania temperatury w cyklu dziennym oraz tygodniowym lub z funkcją WiFi umożliwiającą dodatkowo zdalną kontrolę z telefonu za pomocą aplikacji.

typ ogrzewania	typ regulatora temperatury
pomocnicze ciepła podłoga	MWD5 WiFi MCD5 1999 ELR30 WiFi ELR20
podstawowe	



Regulator temperatury MWD5 WiFi i MCD5 1999 można umieścić we wspólnej ramce z wyłącznikiem oświetlenia



Czujnik temperatury do regulatora MWD5 WiFi, MCD5 1999



Czujnik temperatury do regulatora do ELR30 WiFi, ELR20

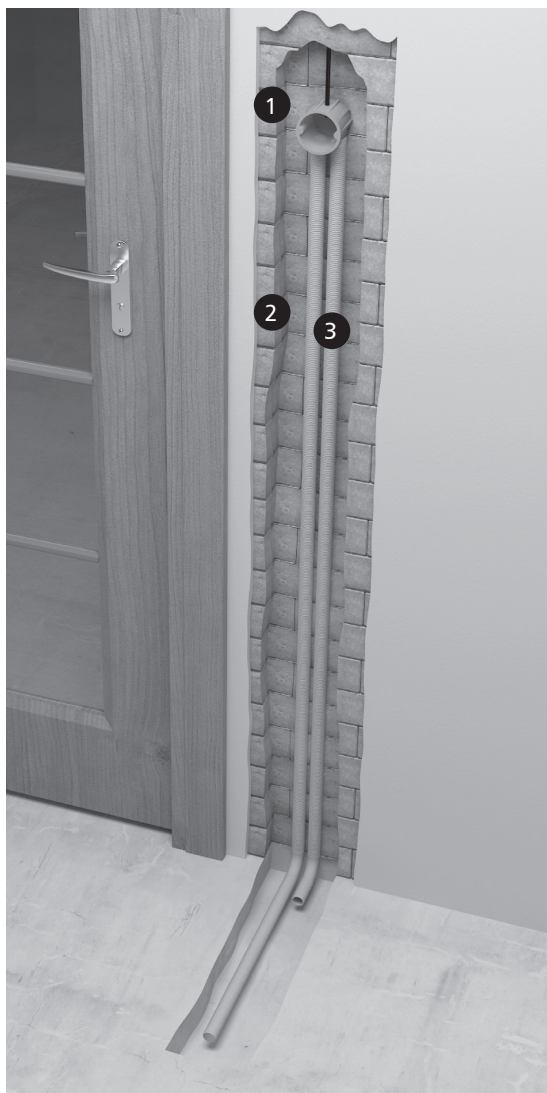
ETAP I - etap wstępny

Na tym etapie należy:

1. Wybrać miejsce na regulator temperatury
- ze względów estetycznych i praktycznych najlepiej obok wyłączników oświetlenia (regulator można instalować we wspólnej ramce z wyłącznikami oświetlenia).
2. Zainstalować pogłębioną puszkę elektryczną, w której zostanie umieszczony regulator temperatury.
3. Do puszki elektrycznej należy doprowadzić przewód zasilający (trójżyłowy).
4. Z puszki elektrycznej należy wyprowadzić 2 rurki ochronne typu peszel (średnica 15 mm) do posadzki. Należy umieścić je w uprzednio wykonanych bruzdach w ścianie oraz w posadzce. Głębokość bruzdy w posadzce, powinna wynieść ok. 10-12 mm. Do jednej z rurek wprowadzony zostanie (na etapie instalacji folii) przewód z czujnikiem temperatury, do drugiej przewody zasilające folii.

Rurki ochronne na styku ściany z posadzką nie mogą być zgięte pod kątem prostym (należy zachować kształt łuku).

- 1 Pogłębiona puszka instalacyjna - zostanie w niej zainstalowany regulator temperatury
- 2 Rurka ochronna - w tej rurce umieszczony będzie czujnik temperatury podłogi
- 3 Rurka ochronna - do tej rurki wciągnięte będą przewody zasilające folii



ETAP II - układanie folii grzejnej

Podłoże pod panele podłogowe powinno być równe, gładkie, suche i stabilne (dopuszczalne odchylenia posadzki od poziomu nie mogą być większe niż 2 mm/m²).

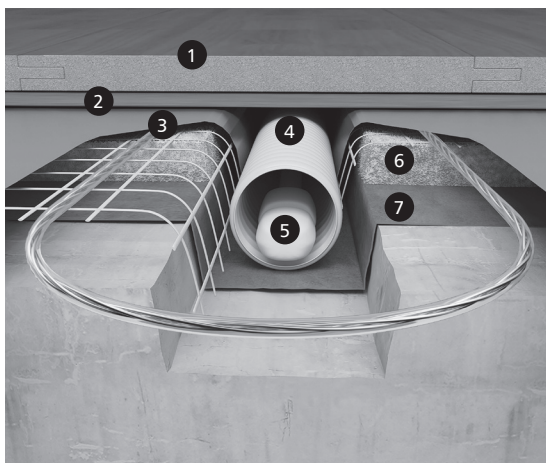
1. Na przygotowanym podłożu należy rozłożyć folię paroizolacyjną (folię polietylenową) o grubości min 0,2 mm na zakład o szerokości min 20 cm. Folie należy wywinąć na ściany na wysokość ok. 5 cm.

Przed układaniem warstwy wyrównującej oraz folii grzejnej, czujnik temperatury wraz z przewodem należy umieścić we wcześniej przygotowanej rurce ochronnej (peszlu). Czujnik temperatury powinien być umieszczony tuż pod powierzchnią ogrzewaną. Nad rurką ochronną (peszlem) na odcinku podłogi, już po rozłożeniu warstwy wyrównującej, oraz folii grzejnej, trzeba będzie wyciąć ich fragment, w celu zachowania płaszczyzny. Przewód czujnika temperatury należy doprowadzić do puszki elektrycznej.

Uwaga:



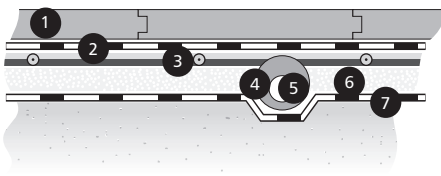
Przewód z czujnikiem temperatury powinien znajdować się w równej odległości między przewodami grzejnymi folii.



Sposób umieszczenia czujnika temperatury

- 1 Laminowany panel podłogowy
- 2 Warstwa poślizgowa (folia PE)
- 3 Folia grzejna **ELEKTRA WoodTec™**
- 4 Rurka ochronna
- 5 Czujnik podłogowy
- 6 Warstwa wyrównująca
- 7 Folia paroizolacyjna (folia PE)

2. Na folii paroizolacyjnej należy ułożyć warstwę wyrównującą o grubości min. od 2 do 6 mm. Wybierając warstwę wyrównującą należy wziąć pod uwagę jej parametry cieplne. Im lepsze parametry cieplne tym krótszy proces nagrzewania się paneli. Wymogi te najlepiej spełnia podkład pod panele o odpowiedniej gęstości z polistyrenu ekstrudowanego (XPS).



- 1 Laminowany panel podłogowy
- 2 Warstwa poślizgowa (folia PE)
- 3 Folia grzejna ELEKTRA WoodTec™
- 4 Rurka ochronna
- 5 Czujnik podłogowy
- 6 Warstwa wyrównująca
- 7 Folia paroizolacyjna (folia PE)

3. Teraz należy przystąpić do układania folii.
Folię grzejną układamy zawsze ekranem
aluminiowym do góry.

Uwaga:



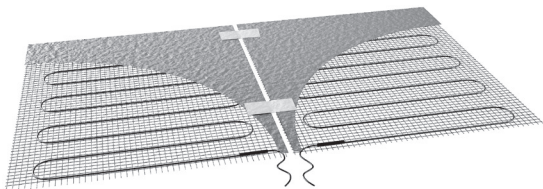
Warstwa wyrównująca w obszarze przeznaczonym pod zabudowę lub w obszarze nieogrzewanym (na którym nie ma folii) powinna być grubsza o 2mm lub wypełniona dodatkową 2mm warstwą zapobiegającą powstawaniu nierówności na panelu w miejscu ułożenia folii grzejnej.

Po rozłożeniu folii, pod „zimnymi złączami” i przewodem zasilającym, które są grubsze od samej folii, należy wyciąć podkład wyrównujący i ewentualnie podkuć posadzkę w celu zachowania płaszczyzny.

Przewody zasilające folii prowadzimy w rurce ochronnej (peszlu) do puszkii elektrycznej. Jeżeli przewód zasilający okaże się za krótki, można go przedłużyć za pomocą złązek elektrycznych.

Do wciągnięcia przewodów w peszel, można użyć tzw. „pilota”.

Jeżeli w trakcie nadawania folii grzejnej wymaganego kształtu, ekran aluminiowy został przecięty, należy przykleić co najmniej dwa paski z samoprzylepnej folii aluminiowej z klejem przewodzącym, łącząc pasy folii w sposób jak pokazano na rysunku. Ekran aluminiowy folii grzejnej pełni rolę ekranu ochronnego przewodów grzejnych i musi być połączony ze sobą elektrycznie.



Połączenie rozciętego ekranu aluminiowego

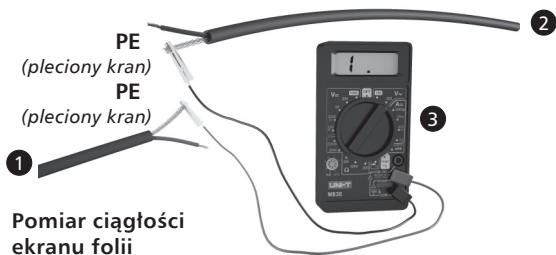
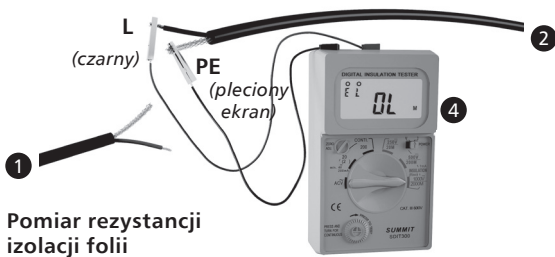
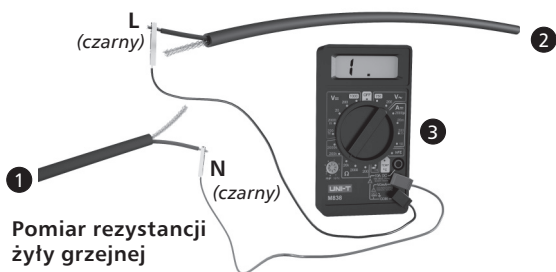
4. Na ułożoną folię grzejną należy rozłożyć warstwę poślizgową (folię polietylenową) o grubości 0,2 mm, w celu zabezpieczenia folii aluminiowej folii grzejnej przed ewentualnym przetarciem.
5. Po ułożeniu folii grzejnej należy wykonać pomiar
 - rezystancji żyły grzejnej
 - rezystancji izolacji folii
 - ciągłości ekranu (aluminiowego)(jeżeli w trakcie nadawania folii grzejnej pożądanego kształtu ekran aluminiowy został przecięty)

Wyniki należy wpisać do Karty Gwarancyjnej. Po ułożeniu paneli podłogowych, pomiary trzeba powtórzyć i wyniki porównać.

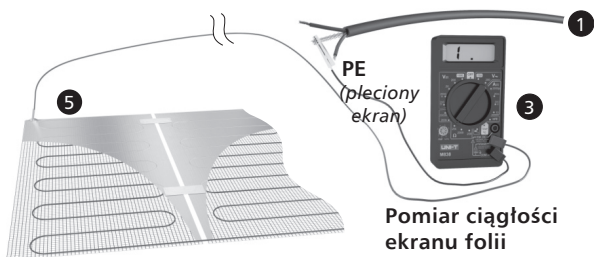
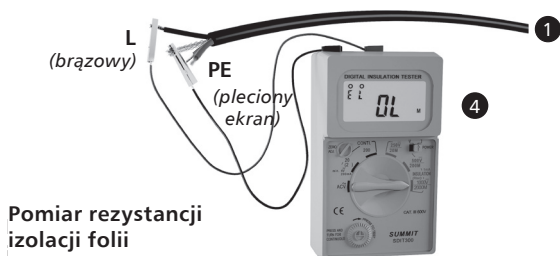
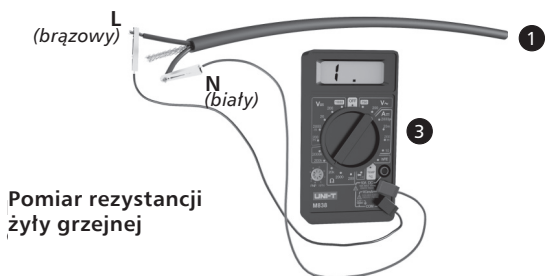
Pomiary

- 1 Przewód zasilający folii
- 2 Przewód zasilający folii
- 3 Omomierz
- 4 Megaomomierz
- 5 Folia aluminiowa (ekran)

ELEKTRA WoodTec1[™] - pomiary



ELEKTRA WoodTec2™ - pomiary



Pomiar ciągłości ekranu należy wykonać mierząc omierzem oporność pomiędzy ekranem (PE) przewodu zasilającego a ekranem aluminiowym w najbardziej odległym od „zimnego złącza” pasie folii grzejnej.

Rezystancja izolacji przewodu grzejnego folii zmierzona przyrządem o napięciu znamionowym 1000 V (np. megaomomierz) przez co najmniej 30 sekund, a jej wartość nie powinna być mniejsza od 50 MΩ. Wyniki należy wpisać do Karty Gwarancyjnej.

Etap III - układanie paneli podłogowych

Po rozłożeniu folii grzejnej i zainstalowaniu czujnika temperatury oraz wprowadzeniu do puszek elektrycznej przewodów zasilających folii i przewodu czujnika temperatury można przystąpić do montażu paneli podłogowych.

Etap IV - montaż regulatora temperatury

Przed podłączeniem folii do instalacji elektrycznej poprzez regulator temperatury, należy ponownie wykonać pomiar rezystancji żyły i izolacji, oraz badanie ciągłości ekranu aby przekonać się czy w trakcie montażu paneli nie została uszkodzona folia grzejna. Wyniki należy wpisać do Karty Gwarancyjnej.

Podłączenie folii grzejnej do instalacji elektrycznej powinno być wykonane przez instalatora posiadającego uprawnienia elektryczne.

Podłączenie przewodów:

1. zasilających sieci elektrycznej
2. zasilających folii grzejnej
3. czujnika temperatury

w puszcze elektrycznej z regulatorem temperatury należy wykonać zgodnie ze schefoliiem opisanym w instrukcji regulatora temperatury.

Uwaga:



Przewód ochronny przewodu grzejnego (pleciony ekran) należy połączyć z przewodem ochronnym (żółto-zielonym) instalacji elektrycznej za pomocą specjalnego zacisku \perp w regulatorze temperatury. Jeżeli takiego zacisku nie ma, podłączenie to należy wykonać oddzielnie, za pomocą złączki rozgałęźnej (kostki), którą umieszczamy w puszcze instalacyjnej. Jeżeli w pomieszczeniu zainstalowana została więcej niż jedna folia, folie należy połączyć równolegle, tzn przewody jednoimienne do tego samego zacisku regulatora.

Ochrona przeciwporażeniowa

Instalacja zasilająca folię grzejną powinna być wyposażona w wyłącznik różnicowoprądowy o czułości $\Delta \leq 30\text{mA}$.

Eksploatacja

Obsługa systemu grzejnego ogranicza się do nastawienia pożądanej temperatury podłogi za pomocą regulatora temperatury.

Należy pamiętać, że grzejnikiem jest cała powierzchnia podłogi lub jej część i dlatego nie wolno wprowadzać takich zmian w umeblowaniu, czy w przeznaczeniu pomieszczeń, które utrudniłyby oddawanie ciepła z ogrzewanej podłogi.

Dlatego też, nie należy stawiać na podłodze dużych powierzchniowo przedmiotów, np. foliieracy czy mebli bez nóg, które całą powierzchnią przylegałyby do podłogi.

W podłodze wolno wiercić otwory po upewnieniu się, gdzie ułożone są przewody grzejne folii (na podstawie dokumentacji powykonawczej lub trasy przewodu grzejnego folii zlokalizowanej odpowiednim przyrządem).

Gwarancja

ELEKTRA udziela 20-letniej gwarancji (licząc od daty zakupu) na folie grzejne ELEKTRA WoodTec™.

Warunki gwarancji

1. Uznanie reklamacji wymaga:
 - a) wykonania instalacji grzewczej zgodnie z niniejszą instrukcją montażu
 - b) podłączenia przez instalatora posiadającego uprawnienia elektryczne
 - folii grzejnej
 - regulatora temperatury
- do instalacji elektrycznej i wykonania pomiarów

- rezystancji żyły grzejnej
 - ciągłości ekranu (aluminiowego)
- c) przedstawienia poprawnie wypełnionej Karty Gwarancyjnej
 - d) dowodu zakupu folii grzejnej
 - e) wyposażenia instalacji zasilającej obwód grzejny w wyłącznik różnicowo-prądowy.
2. Gwarancja traci ważność w przypadku dokonywania napraw przez osoby inne niż instalator uprawniony przez firmę ELEKTRA.
 3. Gwarancja nie obejmuje uszkodzeń spowodowanych:
 - a) uszkodzeniami mechanicznymi
 - b) niewłaściwym zasilaniem
 - c) wykonaniem instalacji elektrycznej niezgodnie z obowiązującymi przepisami.
 4. ELEKTRA w ramach gwarancji zobowiązuje się do poniesienia kosztów związanych wyłącznie z naprawą wadliwej folii grzejnej.
 5. Gwarancja na sprzedany towar konsumpcyjny nie wyłącza, nie ogranicza ani nie zawiesza uprawnień kupującego wynikających z niezgodności towaru z umową.

Uwaga:

Reklamacje należy składać wraz z Kartą Gwarancyjną oraz dowodem zakupu w miejscu sprzedaży folii grzejnej lub w firmie ELEKTRA.



Karta Gwarancyjna

Karta gwarancyjna musi być zachowana przez Klienta przez cały okres gwarancji tj. 20 lat. Okres gwarancji obowiązuje od daty zakupu.

ELEKTRA
WoodTecTM

MIEJSCE INSTALACJI

Adres		
Kod pocztowy		Miejscowość

Reklamacje należy składać wraz z niniejszą Kartą Gwarancyjną oraz dowodem zakupu w miejscu sprzedaży

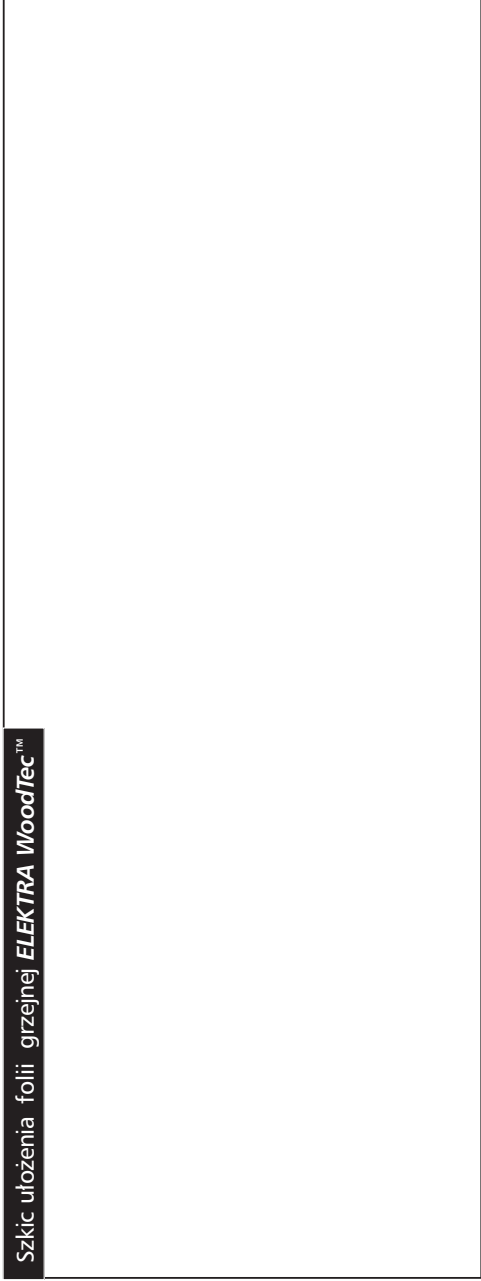
WYPELNIŃ INSTALATOR

Imię i nazwisko			Numer uprawnień elektrycznych:	
Adres			E-mail	
Kod pocztowy		Miejscowość	Tel.	Fax

Uwaga: Instalator zobowiązany jest dostarczyć dokumentację powykonawczą użytkownikowi.



Szkic ułożenia folii grzejnej **ELEKTRA WoodTec™**



Uwaga: Szkic powinien zawierać odległości folii grzejnej od ścian pomieszczenia lub stałej zabudowy, miejsce ułożenia czujnika temperatury oraz przewodów zasilających.



Wyniki pomiarów	
Rezystancja żyły grzejnej	po ułożeniu folii grzejnej Ω
	po ułożeniu podłogi Ω
Rezystancja izolacji przewodu grzejnego	po ułożeniu folii grzejnej $M\Omega$
	po ułożeniu podłogi $M\Omega$
Ciągłość ekranu rezystancja poniżej 0,2 Ω	TAK <input type="checkbox"/>
	NIE <input type="checkbox"/>
	TAK <input type="checkbox"/>
	NIE <input type="checkbox"/>
po ułożeniu podłogi	(dotyczy tylko <i>ELEKTRA WoodTec1™</i>)
	TAK <input type="checkbox"/>
	NIE <input type="checkbox"/>

Data	
Podpis instalatora	
Pieczętka firmy	

Uwaga: Wynik pomiaru rezystancji żyły grzejnej nie powinien różnić się od wartości podanej na tabliczce znamionowej o więcej niż -5% +10%. Rezystancja izolacji przewodu grzejnego folii zmierzona megaomierzem o napięciu znamionowym 1000V nie powinna być mniejsza od 50 $M\Omega$.



UWAGA!

Tu należy wkleić samoprzylepną
tabliczkę znamionową,
która umieszczona jest na produkcie
(należy wykonać przed
zainstalowaniem ogrzewania)

**НАГРЕВАТЕЛЬНЫЕ ПЛЁНКИ
ELEKTRA**

WoodTec™



предназначены для
установки под ламинат
или паркет

Installation manual

Instrukcja montażu

Инструкция по монтажу ▶

Применение

Нагревательные плёнки **ELEKTRA WoodTec™** предназначены для обогрева пола с покрытием из панелей, досок или слоистых досок.

Тип, размеры и способ монтажа панелей пола или сэндвич-панелей должны гарантировать устойчивость пола после их укладки на пленку.

Плёнки мощностью 60 и 70 Вт / м² служат в качестве дополнительной системы отопления в порядке получения теплого пола. В помещениях с очень хорошими тепловыми параметрами они могут полнить роль основной системы отопления.

Плёнки мощностью 140 Вт / м² используются в качестве основной системы обогрева.

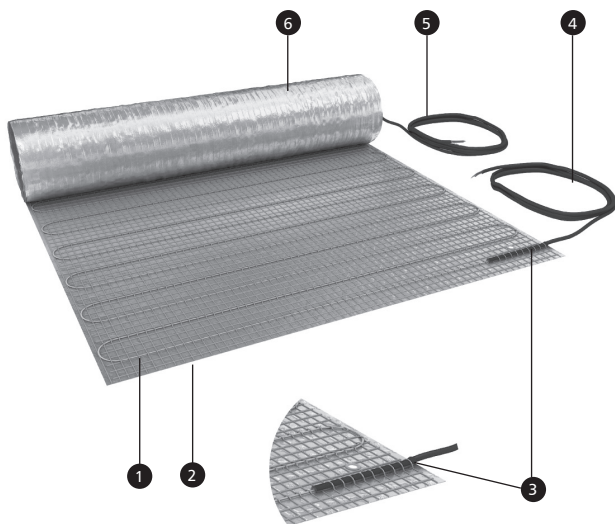
Характеристика

Нагревательные плёнки **ELEKTRA WoodTec™** шириной 50 см и длиной от 2,0 до 26,0 м. Нагревательный кабель с одной стороны приклеен к сетке

из стекловолокна, а с другой прикрыт по всей поверхности плёнка алюминиевой фольгой. Алюминиевая фольга является защитным экраном. Возможна установка в одном помещении двух или более пленок. В таком случае их необходимо подключать параллельно друг другу.

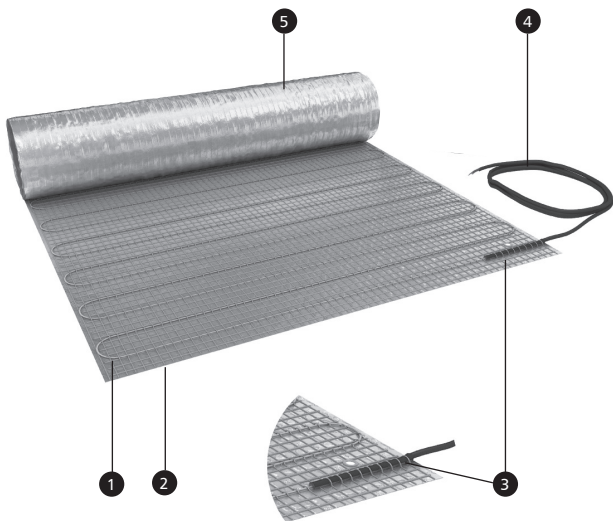
Нагревательные плёнки **ELEKTRA WoodTec₁™** имеют толщину **1,9 мм** и холодный конец длиной 4,0 м с двух сторон.

Нагревательные плёнки **ELEKTRA WoodTec₂™** имеют толщину **2,8 мм** и всево один холодный конец - 4,0 м в длину, а с другой стороны с коннектором.



Нагревательная плёнка **ELEKTRA WoodTec₁™**

- 1 нагревательный кабель
- 2 сетка из стекловолокна
- 3 муфта, соединяющая нагревательный кабель с проводом питания
- 4 провод питания с экраном (PE)
- 5 провод питания с экраном (PE)
- 6 алюминиевой экран



Нагревательная плёнка **ELEKTRA WoodTec₂**TM

- 1 нагревательный кабель
- 2 сетка из стекловолокна
- 3 муфта, соединяющая нагревательный кабель с проводом питания
- 4 двухжильный провод питания с экраном (PE)
- 5 алюминиевой экран

Внимание:



Мощности нагревательных плёнок могут отличаться на +5%, -10% по сравнению с данными с этикетки на упаковке.

Нагревательные плёнки работают при номинальном напряжении 220/230В/50Гц.

Нагревательные плёнки **ELEKTRA WoodTec™** имеют следующие информационные пиктограммы:



Одножильная
нагревательная плёнка
двустороннего питания
(**ELEKTRA WoodTec₁™**)



Двухжильная
нагревательная плёнка
одностороннего питания
(**ELEKTRA WoodTec₂™**)



Нагревательная плёнка
установлена вверх алюми-
ниевой фольгой



Прямой обогрев полов

Материалы и инструменты

необходимые для монтажа нагревательной плёнки

- нагревательная плёнка
ELEKTRA WoodTec™ – в упаковке
- гофрированная трубка
длиной 1,5 и 2,5 м – в упаковке
- монтажная коробка – в упаковке

- 2 клеммника
только *ELEKTRA WoodTec₁™* – в упаковке
- клейкие полоски ленты
проводящего клея – в упаковке
- терморегулятор – в упаковке
опция

- ножницы
- омметр
- инструмент для вырубки
штробы

Внимание:



Запрещается перерезать нагревательный кабель, можно перерезать только сетку из стекловолокна и алюминиевую фольгу.

Запрещается укорачивать нагревательную плёнку, можно сокращать только длину «холодного» конца, если это необходимо.

Запрещается самостоятельно производить ремонт нагревательной плёнки. В случае повреждения кабеля, об этом необходимо сообщить квалифицированному специалисту ELEKTRA.

Внимание:

Запрещается подвергать плёнку чрезмерному механическому напряжению и растяжению, а также соприкосновению с острыми предметами.

Никогда не изгибать соединительных муфт и прекращения.

Запрещается монтировать плёнку при температуре ниже -5°C .

Запрещается устанавливать плёнку на не-сво-бодной площади (например, в местах, где будет стоять шкаф беж ножек).

Для установки плёнки **запрещается** применять материалы, не рекомендованные в инструкции.

Для установки плёнки **запрещается** применять гвозди или шурупы.

Внимание:

Плёнки предназначены только для сухой укладки в верхние слои полов, отделанных панелями пола или многослойными плитами, поэтому их не следует устанавливать во влажных помещениях, таких как ванные комнаты, прачечные. Эта конструкция также исключает установку под гибкую отделку, такую как панели или виниловые полы.

Внимание:

Нагревательную плёнку устанавливать **всегда** в соответствии с инструкцией по монтажу.

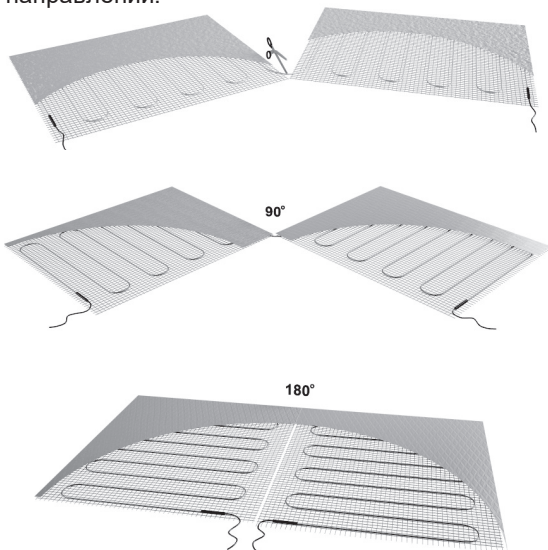
Подключение плёнки к электросети **должен** осуществлять только квалифицированный электрик, имеющий соответствующие разрешения.

Нагревательная плёнка **должна** быть отдалёна от других источников тепла как минимум на 50 мм (например, от труб с тёплой водой).

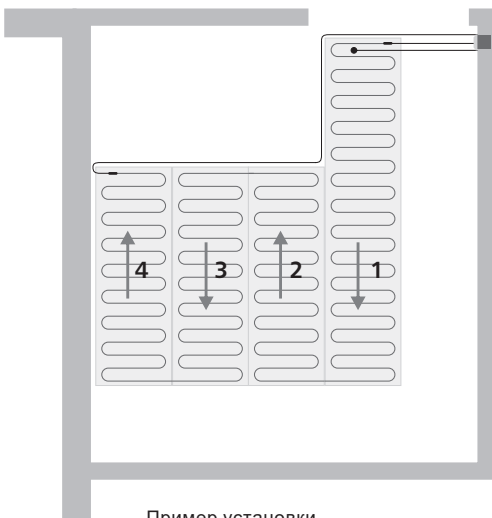
Выбор нагревательной плёнки

Выбирая длину нагревательной плёнки (ширина у всех матов составляет 50 см), или нескольких плёнок, для обогрева больших помещений, следует разместить плёнки по всей площади помещения или на выбранных участках.

Запрещается укладывать плёнку на несвободной площади. Нагревательной плёнке можно придать требуемую форму путём разрезания сетки и алюминиевой фольги (запрещается разрезать нагревательный кабель) и развороту плёнки в нужном направлении.



Способы укладки нагревательной плёнки.



Пример установки
нагревательной плёнки в кухне

Выбор терморегулятора

Необходимым элементом систем отопления пола является терморегулятор. При помощи термо-регулятора нагревательная плёнка подключается к электросети. Терморегулятор регулирует необходимую температуру пола и воздуха.

- Если нагревательная плёнка является дополнением к основной системе отопления с возможностью изменения конфигурации датчиков температуры. В этом случае управление осуществляется только с помощью датчика пола.
- Если нагревательные плёнки являются основным источником обогрева помещения и потребителя интересует получение оптимальной температуры воздуха в помещении необходимо использовать терморегулятор с датчиком температуры воздуха и защитным датчиком температуры пола (этот тип терморегулятора измеряет температуру воздуха, а защитный датчик предохраняет пол и нагревательную плёнку от перегрева).

Для регулирования температуры можно использовать программируемый терморегулятор, с помощью которого можно задать суточную или недельную программу температуры пола или с функцией WiFi, дающей возможность дополнительного дистанционного управления с телефона с помощью приложения.

Тип обогрева	Тип терморегулятора
вспомогательное	MWD5 WiFi MCD5 1999 ELR30 WiFi ELR20
основное	



Терморегулятор MWD5 WiFi и MCD5 1999 можно разместить в одной рамке с выключателем света



Датчик температуры
для WiFi-контроллера
MWD5, MCD5 1999



Датчик температуры
для WiFi-контроллера
ELR30, ELR20

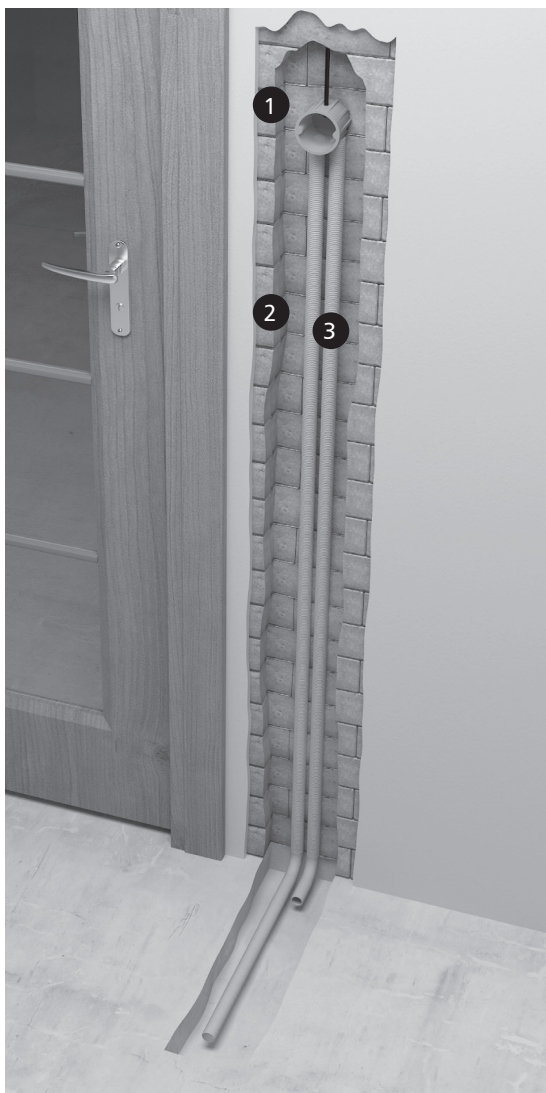
ЭТАП I - вступительный этап

На этом этапе следует:

1. Выбрать место для терморегулятора
- с эстетической и практической точек зрения, терморегулятор лучше всего размещать рядом с выключателями света (терморегулятор можно разместить в одной рамке с выключателем).
2. Установить монтажную коробку, в которой будет размещён терморегулятор.
3. К монтажной коробке необходимо подвести «холодный» конец нагревательной плёнки.
4. Из монтажной коробки необходимо вывести в пол 2 гофрированные трубки (диаметром 15 мм). Трубки следует разместить в предварительно сделанных штробах в стене и полу. Глубина штробы в полу должна составить 10-12 мм. На этапе монтажа плёнки в одну из трубок будет помещен кабель с датчиком температуры, во вторую - «холодные» концы нагревательной плёнки.

Гофрированные трубки в местах соединения пола и стены нельзя сгибать под прямым углом (следует предать форму дуги).

- 1 Монтажная коробка и терморегулятор
- 2 Гофрированная трубка для датчика температуры пола
- 3 Гофрированная трубка для «холодных» концов нагревательной плёнки



ЭТАП II - укладка нагревательной плёнки

Основание, на которое устанавливается деревянный пол, должно быть ровным, гладким и сухим (допустимые отклонения основания от горизонтального положения не должны превышать 2 мм/м²).

1. На подготовленном основании разложить пароизоляцию (полипропиленовую фольгу) толщиной мин. 0,2 мм, закладывая один фрагмент на другой с запасом в 20 см. Фольгу следует развернуть на стены на высоту около 5 см.

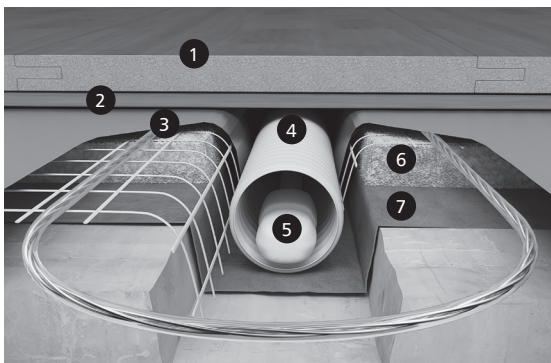
Перед установкой подложки под ламинат и укладкой нагревательной плёнки, датчик температуры и «холодные» концы разместить в гофрированную трубку. Датчик температуры должен находиться под обогреваемой поверхностью.

Чем ближе к основанию деревянного пола будет находиться датчик, тем точнее будут его измерения. Провод датчика температуры нужно вывести в монтажную коробку.

Внимание:



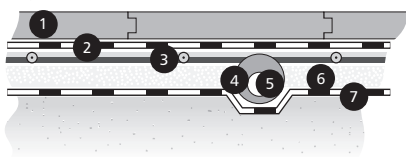
Кабель с датчиком температуры должен находиться на равном расстоянии между нагревательными кабелями плёнки.



Расположение датчика температуры

- 1 Ламинат
- 2 Полиэтиленовая пленка
- 3 Нагревательная плёнка **ELEKTRA WoodTec™**
- 4 Гофрированная трубка
- 5 Датчик температуры пола
- 6 Выравнивающая подложка под ламинат
- 7 Пароизоляция

2. Для размещения датчика температуры в подготовленном основании необходимо сделать углубление. Затем разложить пароизоляцию и разместить гофрированную трубку с датчиком температуры в углублении. На пароизоляции разложить выравнивающую подложку толщиной не менее 6 мм. В месте пролегания гофрированной трубки с датчиком температуры в подложке делается разрез. При выборе выравнивающей подложки необходимо учитывать ее тепловые параметры. Чем выше тепловые параметры, тем быстрее будет нагреваться пол. Данным требованиям соответствует выравнивающая оболочка из экструдированного полистирола (XPS) с правильной плотностью.



- 1 Ламинат
- 2 Полиэтиленовая пленка
- 3 Нагревательная плёнка *ELEKTRA WoodTec™*
- 4 Гофрированная трубка
- 5 Датчик температуры пола
- 6 Выравнивающая подложка под ламинат
- 7 Пароизоляция

3. Укладка нагревательной плёнки.

Нагревательные плёнки устанавливаются всегда алюминиевой фольгой вверх.

Внимание:



Выравнивающий слой в месте, где нагревающаяся плёнка не будет положена, должен быть выше на 2 мм.

«Холодные» концы нагревательной плёнки значительно толще нагревательного кабеля, поэтому для сохранения ровной поверхности, в выравнивающей подложке и в полу, если есть необходимость, сделать углубление.

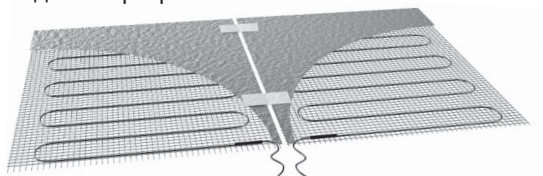
«Холодные» концы провести вдоль стены к монтажной коробке в которой будет установлен терморегулятор.

Если «холодный» конец окажется коротким, его можно удлинить. «Холодные» концы помещаются в гофрированную трубку и подводятся к монтажной коробке. На участке соединения нагревательного кабеля с холодным концом необходимо вырезать

в полу небольшое углубление для сохранения ровной поверхности. Если холодный конец слишком короткий, его можно удлинить при помощи электрических коннекторов.

Для установки кабелей в гофрированную трубку можно использовать контур.

Если во время формирования желаемой формы нагревательной плёнки алюминиевая фольга будет сокращена, необходимо прикрепить а не менее двух самоклеящиеся полосы из алюминиевой фольги с проводящим клеем, совмещая плёнку полосами, как показано на рисунке. Алюминиевый скотч нагревательной плёнки защищает экран нагревательного кабеля и не должен разрываться.



Соединение разрезанной алюминиевой фольги

4. После установки нагревательной плёнки необходимо измерить:

- сопротивление нагревательного провода плёнки
- сопротивление изоляции плёнки
- непрерывность экрана плёнки (алюминиевой фольги) - если алюминиевая фольга разрезается также по плану, как нагревательная плёнка

Результаты измерений необходимо записать в Гарантийный Талон.

После установки деревянного покрытия, необходимо снова повторить измерения и сравнить результаты. Это необходимо для подтверждения того, что нагревательная не была повреждена в процессе монтажа.

Измерения

- ❶ «Холодный» конец нагревательного кабеля плёнки
- ❷ «Холодный» конец нагревательного кабеля плёнки
- ❸ Омметр
- ❹ Мегомметр
- ❺ Алюминиевая фольга - экран

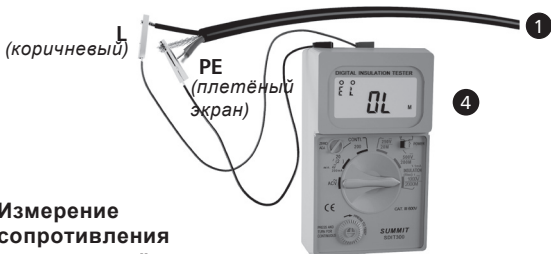
ELEKTRA WoodTec¹™ - измерения



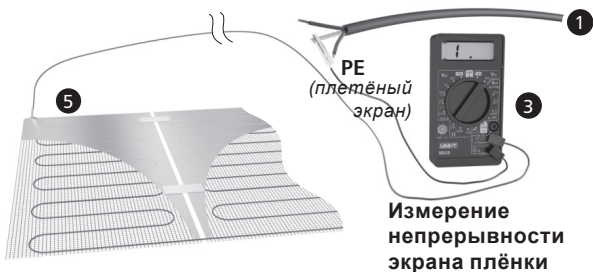
ELEKTRA WoodTec₂™ - измерения



**Измерение
сопротивления
нагревательного
кабеля**



**Измерение
сопротивления
изоляции плёнки**



**Измерение
непрерывности
экрана плёнки**

Если Непрерывность экрана измеряется омметром путём измерения сопротивления между экраном (PE) провода питания и алюминиевой фольгой в наиболее удалённом от «холодного соединения» фрагменте обогревательной плёнки.

Сопротивление изоляции нагревательного кабеля плёнка, измеренное мегаомметром с номинальным напряжением 1000В не менее 30

секунд и его значение не должно быть меньше 50MΩ. Результаты измерений необходимо занести в Гарантийный талон.

Этап III - укладка половых панелей

После установки нагревательной плёнки, датчика температуры, подведения в монтажную коробку «холодных» концов плёнки, кабеля датчика температуры и укладки полиэтиленовой пленки можно приступить к установке деревянного пола.

Этап IV - монтаж терморегулятора

Перед подключением плёнки к электросети через терморегулятор, следует ещё раз измерить сопротивления кабеля и изоляции. Также необходимо проверить непрерывность экрана, чтобы убедиться, что в процессе монтажа пола нагревательный кабель не был повреждён. Результаты необходимо записать в Гарантийный Талон.

Подключение нагревательной плёнки к электросети должен осуществлять квалифицированный электрик.

Присоединение проводов:

1. питающих проводов электросети
2. питающих «холодных» концов нагревательной плёнки
3. датчика температуры

Все соединения в монтажной коробке с терморегулятором следует осуществлять согласно схеме, указанной в инструкции на терморегулятор.

Внимание:



Защитные кабели плёнки (плетёный экран) следует соединять вместе с защитным проводом (зелёно-жёлтым) электросети с помощью специального зажима в терморегуляторе. Если такого зажима нет, присоединение необходимо осуществить отдельно при помощи клеммника, который устанавливается в монтажной коробке. Если в помещении устанавливается больше одной плёнки, их следует подсоединить параллельно, то есть одинаковые провода к одному зажиму в терморегуляторе.

Защита от поражения током

«Холодные» концы нагревательной плёнки должны быть оснащены устройством дифференциальной защиты с током утечки $\Delta \leq 30\text{mA}$.

Эксплуатация

Обслуживание нагревательной системы ограничивается установкой желаемой температуры на терморегуляторе.

Следует помнить о том, что обогревается вся поверхность пола или её часть. Поэтому нельзя изменять расстановку мебели и предназначение помещений, ухудшающих отдачу тепла обогреваемым полом.

Также не следует устанавливать на полу предметы, занимающие большую площадь, например матрасы или мебель без ножек, которые всей поверхностью соприкасаются с полом.

В полу можно сверлить отверстия только после определения расположения нагревательных кабелей мата (на основании документации проведения монтажных работ или при помощи специальных приборов).

Гарантия

ELEKTRA предоставляет 20-летнюю гарантию на нагревательные плёнки *ELEKTRA WoodTec™* (гарантийный срок начинается с даты покупки).

Условия гарантии

1. Гарантийная осуществляется, если:
 - а) нагревательная система установлена в соответствии с данной инструкцией по монтажу
 - б) подключение нагревательной плёнки и терморегулятора к электросети, измерение сопротивления кабеля осуществляет квалифицированный электрик, имеющий документы, подтверждающие его квалификацию.

- в) Гарантийный Талон заполнен правильно
 - г) наличие документа, подтверждающего приобретение нагревательной плёнки (чек, счёт-фактура)
 - д) подключение с использованием устройств защиты.
2. Гарантия не действительна в случае осуществления ремонта лицами, не уполномоченными компанией ELEKTRA
3. Гарантия не распространяется на повреждения, полученные в результате:
- а) механических повреждений
 - б) несоответствие напряжения в электросети
 - в) монтажа электросистемы не по правилам инструкции.
4. ELEKTRA обязуется покрыть только ремонт неисправного нагревательной плёнки.

Внимание:

С претензиями обращаться на место приобретения нагревательной плёнки или в офис ELEKTRA, предъявляя Гарантийный Талон и чек, подтверждающий покупку плёнки.

Гарантийный Талон

Гарантийный талон должен храниться у клиента в течение всего периода гарантии 20 лет. Срок действия гарантии начинается с даты покупки нагревательной плёнки

ELEKTRA
WoodTec™

МЕСТО УСТАНОВКИ

Адрес	
Почтовый индекс	Город

Претензии
предъявлять по месту
покупки при наличии
Гарантийного Талона
и товарного чека

Заполняет МОНТАЖНИК

Фамилия и имя		Номер свидетельства на право осуществлять электроработы
Адрес		E-mail
Почтовый индекс	Город	Тел.
		Факс

Внимание: Монтажник обязан предоставить полную документацию выполненных работ.



Чертеж установки нагревательной плёнки **ELEKTRA WoodTec™**

Внимание: Чертеж должен содержать расстояние нагревательной плёнки от стен или крупногабаритной мебели, место расположения датчика температуры и «холодных» концов.



Результаты измерений		
Сопротивление нагревательной жилы	после укладки нагревательной плёнки	Ω
	после создания пола	Ω
Сопротивление изоляции нагревательного кабеля	после укладки нагревательной плёнки	MΩ
	после создания пола	MΩ
Результат измерения сопротивления экрана должно быть менее 0,2 Ω	после укладки нагревательной плёнки	<input type="checkbox"/> ДА <input type="checkbox"/> НЕТ
	после создания пола (только ELEKTRA WoodTecTM)	<input type="checkbox"/> ДА <input type="checkbox"/> НЕТ

Дата	
Подпись монтажника	
Печать компании	

Внимание: Результат измерения сопротивления нагревательной жилы не должен отклоняться от значения указанного на заводской табличке, более чем на -5% и +10%. Сопротивление изоляции нагревательного кабеля измеренная мегаомметром с номинальным напряжением 1000 В не должно быть менее 50 MΩ.



ПРИМЕЧАНИЕ:

**Разместите здесь
самоприклеяющуюся табличку с данными,
приложенную к продукту
(должна быть приклеена до установки
нагревательной системы)**

